

HEAVY VEHICLE CERTIFICATIONS PTY LTD—Swept Path Data—Concrete Pump

PLEASE COMPLETE DETAILS AND RETURN TO HVC BY EMAIL: info@hvc.net.au OR FAX: 08 9332 2030

VEHICLE DETAILS

MAKE-MODEL _____

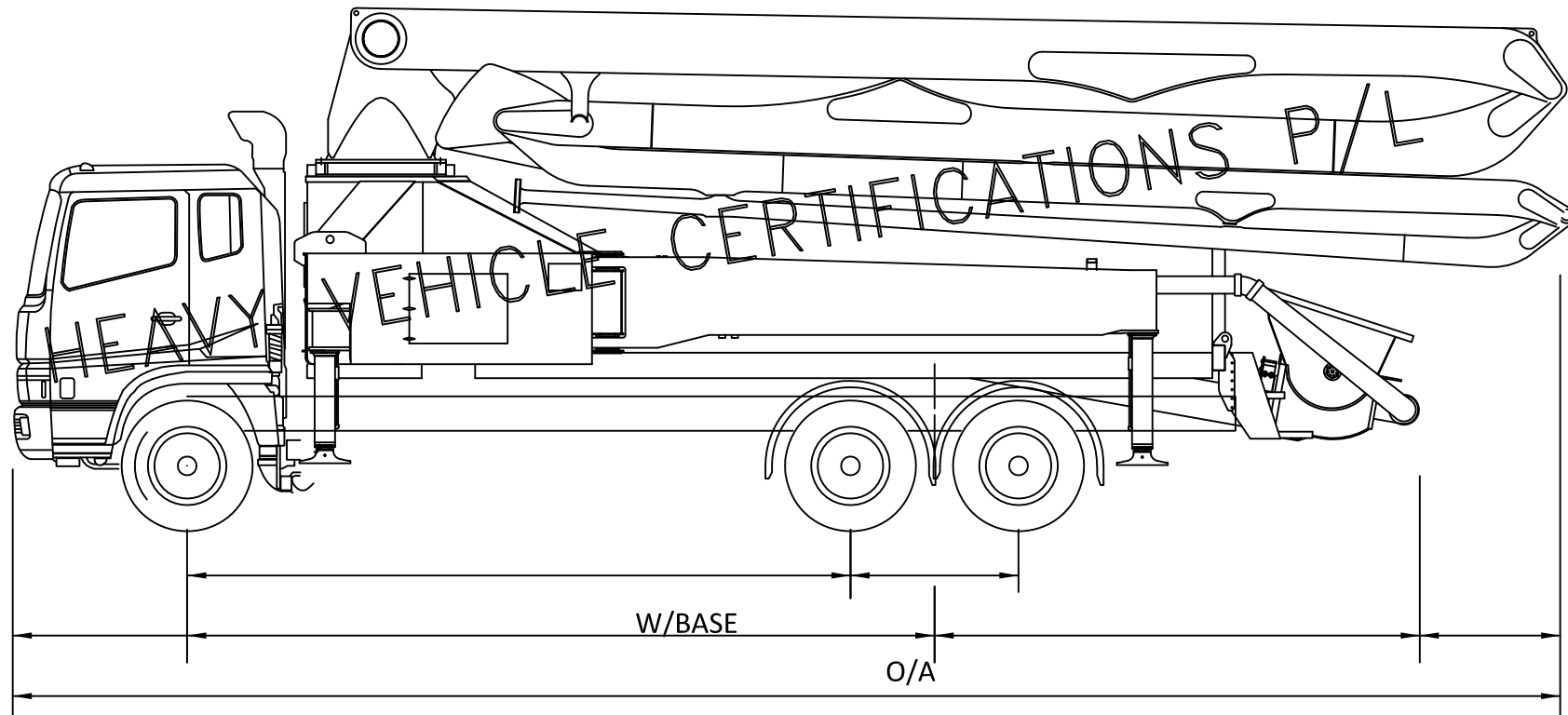
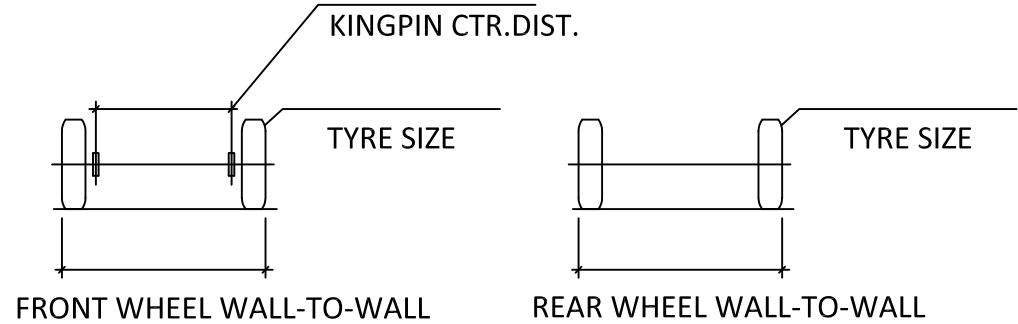
YEAR _____

CHASSIS/VIN _____

GVM & GCM (kg) _____

MAX WIDTH _____

BOOM WIDTH _____



Job No.	Sub Directory	File Name	Intnl Rev.

DRG No	REFERENCE DRAWINGS	No	DATE	REVISION RECORD	DRN	REC	APP	ISSUED FOR	SIGN/DATE	REV

CONSTRUCTION	BIDS	APPROVAL	INFORMATION

© COPYRIGHT THIS DRAWING IS THE PROPERTY OF HEAVY VEHICLE CERTIFICATIONS P/L AND MAY BE COPIED WITHOUT WRITTEN PERMISSION FROM THIS COMPANY	DRAWN :	DATE :
	CHECKED :	DATE :
	DESIGNED :	DATE :
	APPROVED :	DATE :
SCALE	OF	REV